

ASAHI VALVE AND PIPING SYSTEMS

ASAHI AV VALVES

Diaphragm Valve Type 14 (Pneumatic Actuated Type AN) 15mm-50mm (1/2inch-2inch)



Diaphragm Valve Type 14 (Pneumatic Actuated Type AN) 15mm-50mm (1/2inch-2inch)

Body Material

PVC
C-PVC
PP
PVDF

Diaphragm Material

PTFE
EPDM
FKM
Viflon C (FKM-C)
Viflon F (FKM-F)

Connection Standard

JIS 10K
ANSI CLASS150
DIN PN10

Action

Double Acting
Air to Open
Air to Close

Equipment

Indicator

Option

- Filter Regulator
- Solenoid Valve
- Limit Switch
- Speed Controller
- Manual Override
- ※for air to open
- Positioner



FEATURES

- The Actuator made of resin is Light and Compact.
- NAMUR Standard is applied for Air Piping.
- All optional Equipment (except positioner) can easily be added or removed in the field.
- A Closing Travel Stop Mechanism is Standard.

OPTIONAL EQUIPMENT

Combination No.	1	2	3	4	5	6	7	8	9
Solenoid Valve※	○	—	—	○	○	—	○	—	—
Filter Regulator	—	—	—	—	—	—	—	—	○
Speed Controller	◎	○	—	◎	◎	○	◎	—	—
Limit Switch	—	—	○	—	○	○	○	—	—
Positioner (electric-air, ait-air)	—	—	—	—	—	—	—	○	○

◎Indicates specialized for Solenoid Valve.

※With built-in speed controller and bypass valve.

ACTUATOR SPECIFICATION [Double Acting]

Nominal Size mm(inch)	15(1/2inch)	20(3/4inch)	25(1inch)	32(1 1/4inch)	40(1 1/2inch)	50(2inch)
Actuator Type	AN-1DA		AN-2DA		AN-3DA	AN-4DA
Operating Pressure Mpa(kgf/cm ²)	0.4{4.1} - 0.6{6.1}					
Air Consumption NI /open & close (at operating pressure 0.4NPa)	2.6	2.6	2.7	2.7	9.6	9.8
Air Supply Bore	Rc 1/4					

ACTUATOR SPECIFICATION [Air to Open]

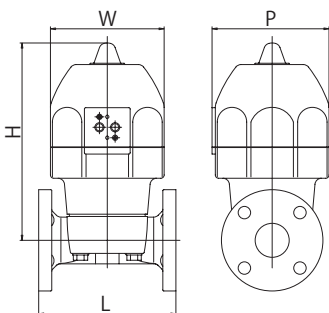
Nominal Size mm(inch)	15(1/2inch)	20(3/4inch)	25(1inch)	32(1 1/4inch)	40(1 1/2inch)	50(2inch)
Actuator Type	AN-1AO		AN-2AO		AN-3AO	AN-4AO
Operating Pressure Mpa(kgf/cm ²)	0.4{4.1} - 0.6{6.1}					
Air Consumption NI /open & close (at operating pressure 0.4NPa)	0.8	0.8	0.8	0.8	3.4	3.4
Air Supply Bore	Rc 1/4					

ACTUATOR SPECIFICATION [Air to Close]

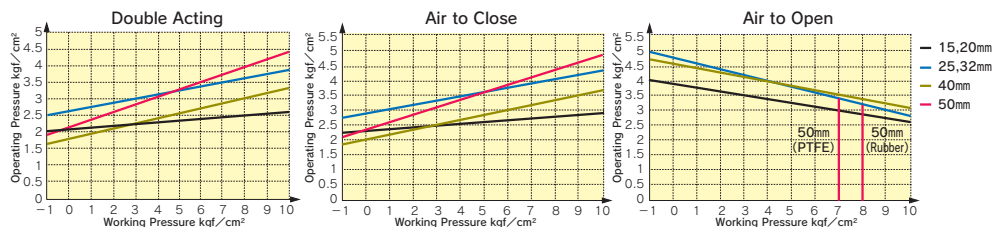
Nominal Size mm(inch)	15(1/2inch)	20(3/4inch)	25(1inch)	32(1 1/4inch)	40(1 1/2inch)	50(2inch)
Actuator Type	AN-1AS		AN-2AS		AN-3AS	AN-4AS
Operating Pressure Mpa(kgf/cm ²)	0.4{4.1} - 0.6{6.1}					
Air Consumption NI /open & close (at operating pressure 0.4NPa)	1.8	1.8	1.9	1.9	6.1	6.3
Air Supply Bore	Rc 1/4					

* for the actuator with lubricant free valves consult near Asahi dealer.

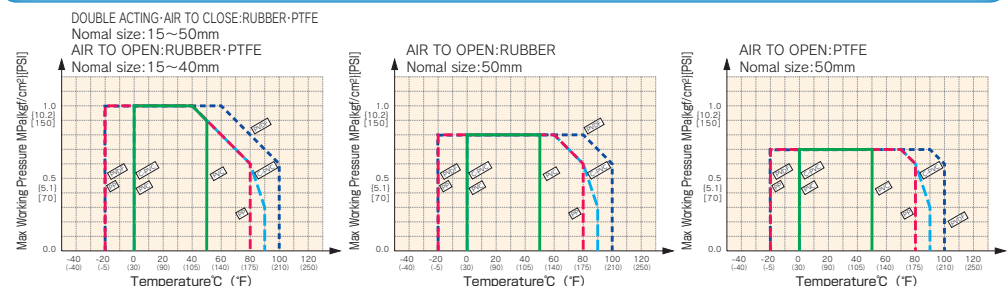
DIMENSIONS FIGURE



OPERATION PRESSURE vs WORKING PRESSURE



WORKING PRESSURE VS. TEMPERATURE



DIMENSIONS TABLE

ANSI, DIN		Unit:mm(inch)					
L	Nominal Size	15(1/2)	20(3/4)	25(1)	32(1 1/4)	40(1 1/2)	50(2)
	DIN		130 (5.12)	150 (5.91)	160 (6.30)	180 (7.09)	200 (7.87)
ANSI	A Standard	110 (4.33)	120 (4.72)	130 (5.12)	—	180 (7.09)	210 (8.27)
	G Standard	108 (4.25)	149 (5.88)	149 (5.88)	213 (8.38)	176 (6.94)	202 (7.94)
	H	186 (7.32)	188 (7.4)	193 (7.6)	197 (7.76)	293 (11.54)	302 (11.89)
	W	130 (5.12)	130 (5.12)	130 (5.12)	130 (5.12)	174 (6.85)	174 (6.85)
	P	133 (5.24)	133 (5.24)	133 (5.24)	133 (5.24)	179 (7.05)	179 (7.05)



AURO LOCATIONS

AURO Armaturen- und RohrhandelsgesmbH
Lichtblaustraße 21
A-1220 Wien
Austria
Tel: +43/1/2565555
Fax: +43/1/256555555
E-Mail: wien@auro.cc

AURO Bulgaria EOOD
Illianci
3, Azalia Str.
BG-Sofia 1271
Bulgaria
Tel: +359/2/4894519
Fax: +359/2/4894722
E-Mail: bulgaria@auro.cc

AURO spol s.r.o
Technická 2/539
CZ-66448 Moravany u Brna
Czech Republic
Tel: +420/54/5233328
Fax: +420/54/5234753
E-Mail: auro@auro.cz

SC AURO Romania SRL
25-27, Celofibrei Str.
RO-077025 Bragadiru
Judetul Ilfov
Romania
Tel: +40/21/4205217
Fax: +40/21/4205218
E-Mail: romania@auro.cc

AURO Budapest Kft.
Gyár u. 2
H-2040 Budaörs
Hungaria
Tel: +36/23/503920
Fax: +36/23/503921
E-Mail: aurobp@aurobp.hu