

ASAHI AV VALVE AND PIPING SYSTEMS

ASAHI AV VALVES

BUTTERFLY VALVE TYPE 55 50mm - 250mm(2inch - 10inch)



BUTTERFLY VALVE TYPE 55 50mm - 250mm(2inch - 10inch)

FEATURES

Extreme Corrosion Resistance

All of the wetted parts are completely covered with PTFE, which can result in excellent performance against a highly corrosive media. Therefore BUTTERFLY VALVE TYPE 55 is the most suitable valve for lines of highly corrosive media in factories of Soda electrolysis, Chemicals and Agricultural chemicals.

Improved Cv Value

Thinner disc makes the area of flow passage wider and the Cv value is improved as a result.

Excellent resistibility to high and low temperature.

BUTTERFLY VALVE TYPE 55 can be used continuously at the range from -20°C to 100°C (-5°F to 210°F)

Simple Structure for Stem Sealing

Simple structure for stem sealing offers high reliability and also allows for easy maintenance.



APPLICATIONS

Electrolytic soda, agricultural chemicals, chemicals, steel, aluminum refining exhaust fumes dischargers, desulfurizers, erosive and corrosive solution lines

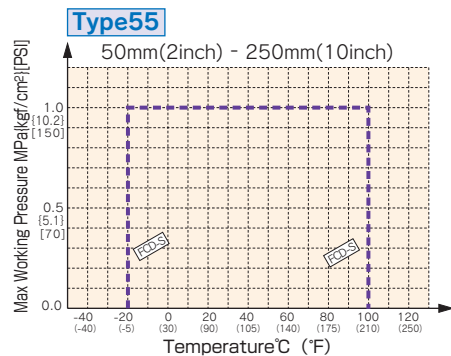
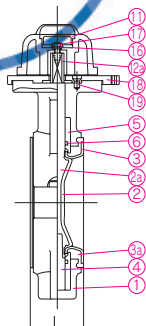
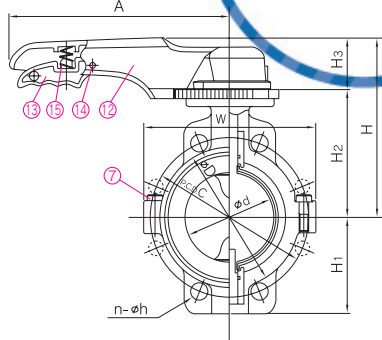
SPECIFICATIONS

Body material	DUCTILE CAST IRON (FCD-5)[with epoxy powder coat]	Nominal size mm(inch)	50(2), 80(3), 100(4), 125(5) 150(6), 200(8), 250(10)
Disc・Seat material	PTFE	Max. Working Pressure	1.0MPa{10.2kgf/cm ² }[150PSI]
		Working Temperature	-20°C - 100°C(-5° F - 210° F)

DIMENSION

WORKING PRESSURE VS. TEMPERATURE

Lever



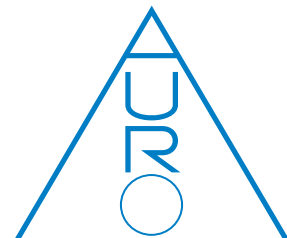
PARTS & MATERIALS

No.	DESCRIPTION	Pcs.	MATERIAL
①	BODY	1	FCD-S(Epoxy Powder Coat)
②	DISC	1	PTFE
②a	DISC INSERT	1	STAINLESS STEEL304
③	SEAT	1	PTFE
③a	CUSHION RUBBER	1	CR
④	STEM	1	STAINLESS STEEL304
⑤	BUSH	2	STAINLESS STEEL304
⑥	O-RING	2	EPDM
⑦	BOLT(A)	—	STAINLESS STEEL304
⑪	CAP	1	PP
⑫	HANDLE	1	PP
⑫a	INSERTED METAL OF HANDLE	1	STAINLESS STEEL304
⑬	HANDLE LEVER	1	PPG
⑭	PIN	1	PPG
⑮	SPRING	1	STAINLESS STEEL304
⑯	WASHER	1	STAINLESS STEEL304
⑰	BOLT(C)	1	STAINLESS STEEL304
⑱	LOCKING PLATE	1	PPG
⑲	SCREW	4	STAINLESS STEEL304

DIMENSIONS TABLE

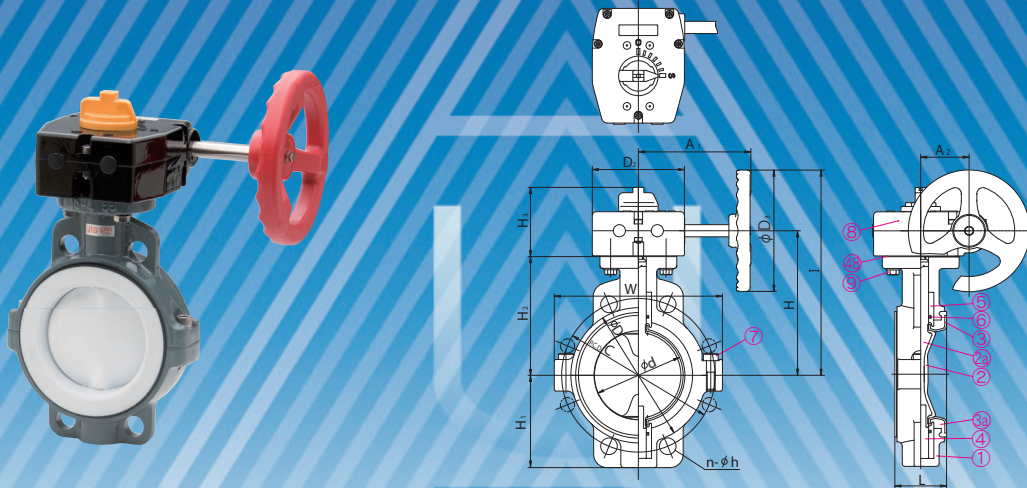
Nominal Size		DIN PN 10										Unit:mm	
mm	inch	d	C	n	h	D	L	H	H ₁	H ₂	H ₃	W	A
50	2	55	125	2(4)	18	90	44	161	61	105	56	116	220
80	3	80	160	4(8)	18	125	54	180	95	124	56	152	250
100	4	100	180	4(8)	18	154	59	196	99	140	56	174	250
125	5	125	210	4(8)	18	181	64	235	120	166	69	206	320

Nominal Size		ANSI Class 150, ANSI Class 125										Unit:inch	
inch	mm	d	C	n	h	D	L	H	H ₁	H ₂	H ₃	W	A
2	50	2.17	4.75	2(4)	0.75	3.54	1.73	6.43	2.40	4.13	2.20	4.57	8.66
3	80	3.15	6.00	—(4)	0.75	4.92	2.13	7.09	3.74	4.88	2.20	5.98	9.84
4	100	3.94	7.50	4(8)	0.75	6.06	2.32	7.72	3.90	5.51	2.20	6.85	9.84
5	125	4.92	8.50	4(8)	0.88	7.13	2.52	9.25	4.72	6.54	2.72	8.11	12.60



DIMENSION

Gear



PARTS & MATERIALS

No.	DESCRIPTION	Pcs.	MATERIAL	No.	DESCRIPTION	Pcs.	MATERIAL
①	BODY	1	※FCD-S(Epoxy Powder Coat)	⑤	BUSH	2	STAINLESS STEEL304
②	DISC	1	PTFE	⑥	O-RING	2	EPDM
②a	DISC INSERTED METAL	1	STAINLESS STEEL304	⑦	BOLT(A)	—	STAINLESS STEEL304
③	SEAT	1	PTFE	⑧	GEAR BOX	1	PLASTIC etc.
③a	SEAT CUSION	1	CR	⑨	BOLT(B)	4	STAINLESS STEEL304
④	STEM	1	STAINLESS STEEL304				

Note : FCD-S: DUCTILE CAST IRON

DIMENSIONS TABLE

DIN																	Unit:mm		
Nominal Size	d	DIN 2501 PN10			D	D ₂	D ₃	L	H	H ₁	H ₂	H ₃	I	W	A ₁	A ₂	Number of handle rotation	GEAR BOX MODEL No.	
		C	n	h															
50	2"	55	125	2(4)	18	90	122	160	44	135	61	100	92	215	116	167	64	9.5	TYPE1
80	3	80	160	—(4)	18	125	122	160	54	154	95	119	92	234	152	167	64		
100	4	100	180	4(8)	18	154	122	160	59	170	99	135	92	250	174	167	64		
125	5	125	210	4(8)	18	181	122	160	64	193	120	158	92	273	206	167	64		
150	6	150	240	4(8)	22	211	122	160	75	210	137	175	92	290	236	167	64		
200	8	191	295	4(8)	22	265	122	160	85	240	163	205	92	320	282	167	64		
250	10	245	350	4(12)	22	325	122	160	96	275	200	240	92	355	341	167	64		

NOTE. The shape and appearance of assembly differ little with nominal size compared to this drawing.

ANSI																	Unit:mm		
Nominal Size	d	ANSI Class 150, ANSI Class 125			D	D ₂	D ₃	L	H	H ₁	H ₂	H ₃	I	W	A ₁	A ₂	Number of handle rotation	GEAR BOX MODEL No.	
		C	n	h															
50	2"	2.17	4.75	2(4)	0.75	3.54	4.80	6.30	1.73	5.31	2.40	3.94	3.62	8.46	4.57	6.57	2.52	9.5	TYPE1
80	3	3.15	6.00	—(4)	0.75	4.92	4.80	6.30	2.13	6.06	3.74	4.69	3.62	9.21	5.98	6.57	2.52		
100	4	3.94	7.50	4(8)	0.75	6.06	4.80	6.30	2.32	6.69	3.90	5.31	3.62	9.84	6.85	6.57	2.52		
125	5	4.92	8.50	4(8)	0.88	7.13	4.80	6.30	2.52	7.60	4.72	6.22	3.62	10.75	8.11	6.57	2.52		
150	6	5.91	9.50	4(8)	0.88	8.31	4.80	6.30	2.95	8.27	5.39	6.89	3.62	11.42	9.29	6.57	2.52		
200	8	7.52	11.75	4(8)	0.88	10.43	4.80	6.30	3.35	9.45	6.42	8.07	3.62	12.60	11.10	6.57	2.52		
250	10	9.65	14.25	4(12)	1.00	12.80	4.80	6.30	3.78	10.83	7.87	9.45	3.62	13.98	13.43	6.57	2.52		

NOTE. The shape and appearance of assembly differ little with nominal size compared to this drawing.



AURO LOCATIONS

AURO Armaturen- und RohrhandelsgesmbH
Lichtblaustraße 21
A-1220 Wien
Austria
Tel: +43/1/2565555
Fax: +43/1/256555555
E-Mail: wien@auro.cc

AURO Bulgaria EOOD
Illianci
3, Azalia Str.
BG-Sofia 1271
Bulgaria
Tel: +359/2/4894519
Fax: +359/2/4894722
E-Mail: bulgaria@auro.cc

AURO spol s.r.o
Technická 2/539
CZ-66448 Moravany u Brna
Czech Republic
Tel: +420/54/5233328
Fax: +420/54/5234753
E-Mail: auro@auro.cz

SC AURO Romania SRL
25-27, Celofibrei Str.
RO-077025 Bragadiru
Judetul Ilfov
Romania
Tel: +40/21/4205217
Fax: +40/21/4205218
E-Mail: romania@auro.cc

AURO Budapest Kft.
Gyár u. 2
H-2040 Budaörs
Hungaria
Tel: +36/23/503920
Fax: +36/23/503921
E-Mail: aurobp@aurobp.hu